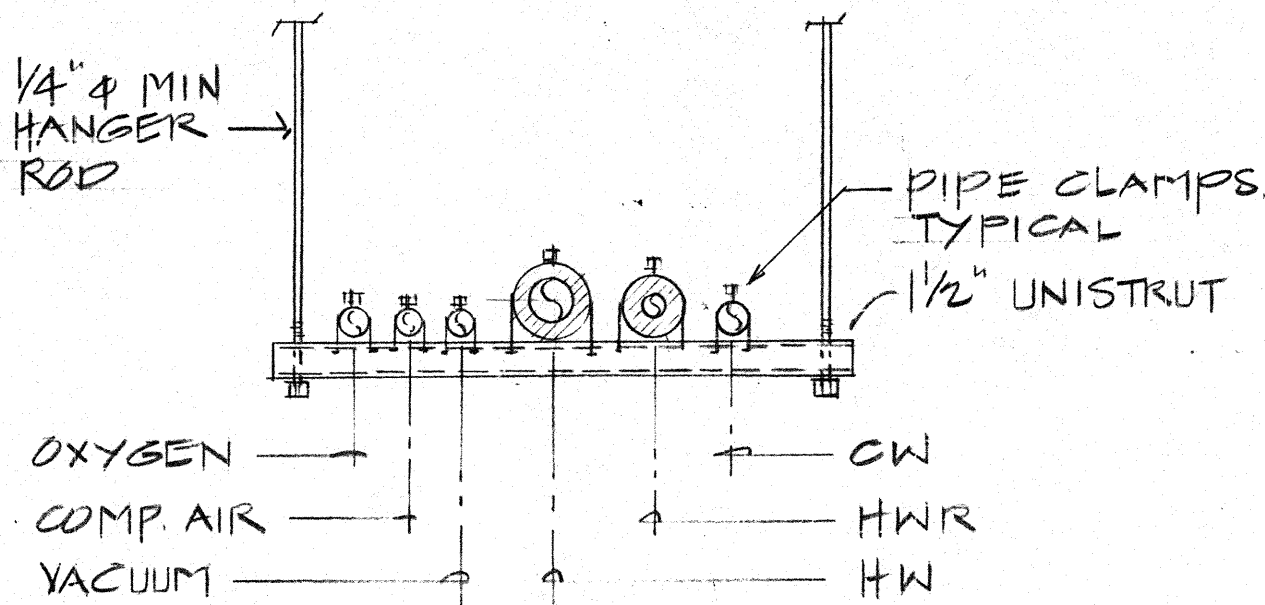
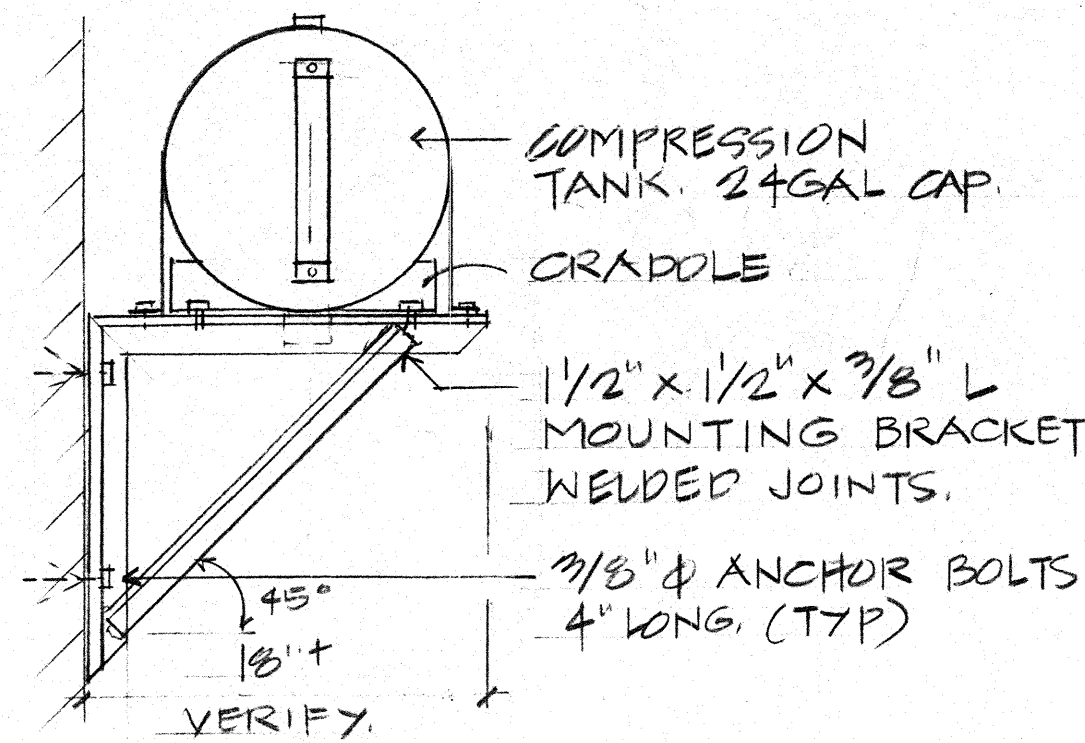


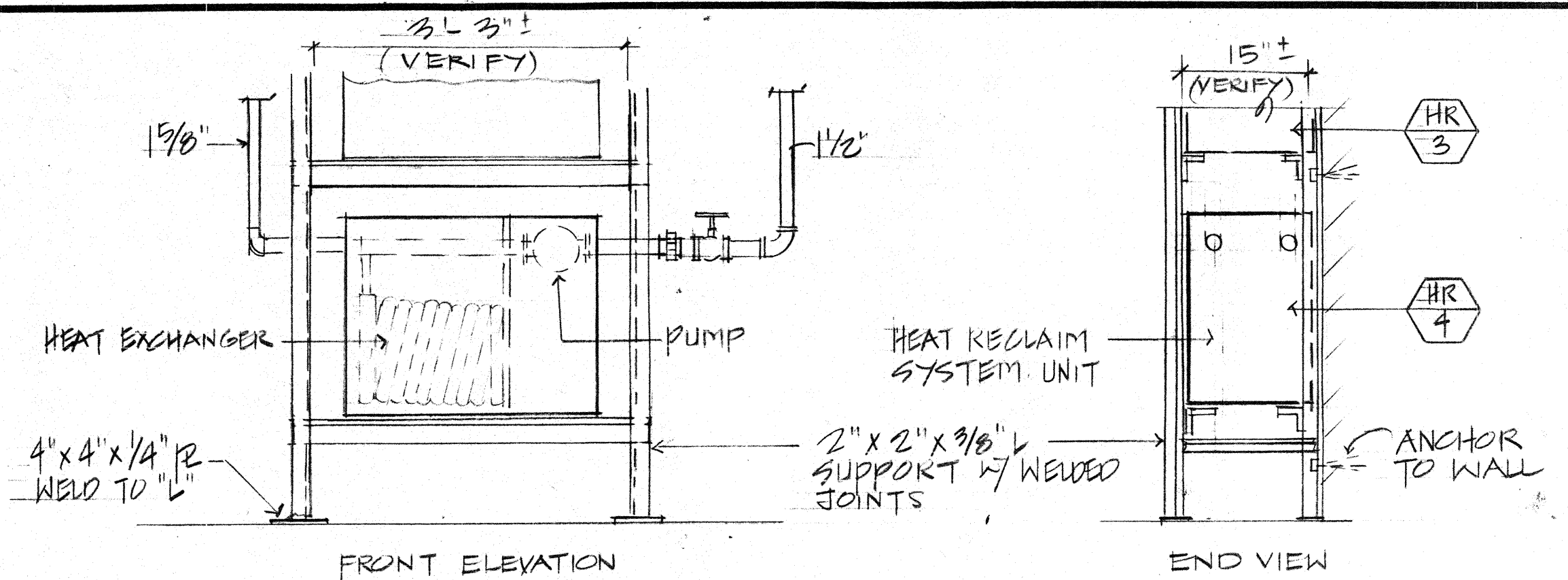
H TYPICAL PIPE HANGER DETAIL
M-46 SCALE: 1/2" = 1'-0"



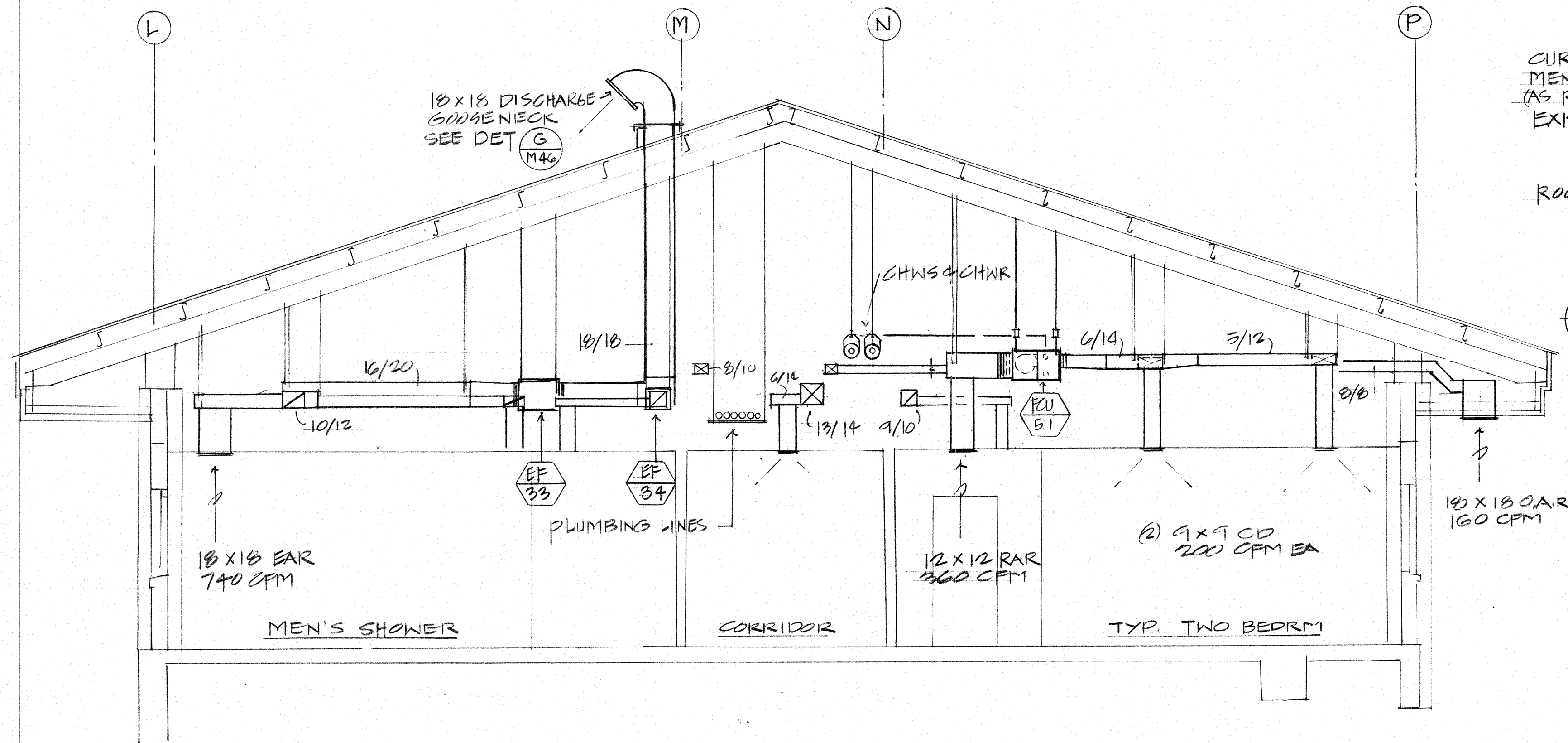
I PIPE HANGING DETAIL
M-46 SCALE: 1/2" = 1'-0"



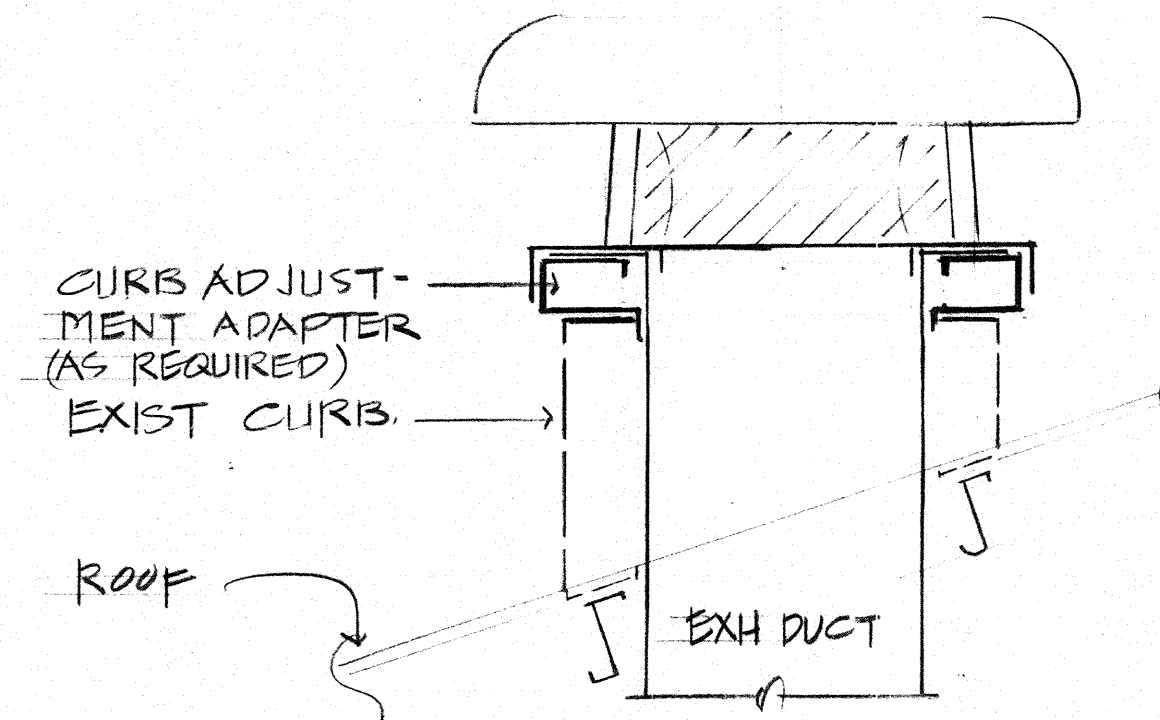
J COMPRESSION TANK MOUNTING DETAIL
M-46 SCALE: 1/2" = 1'-0"



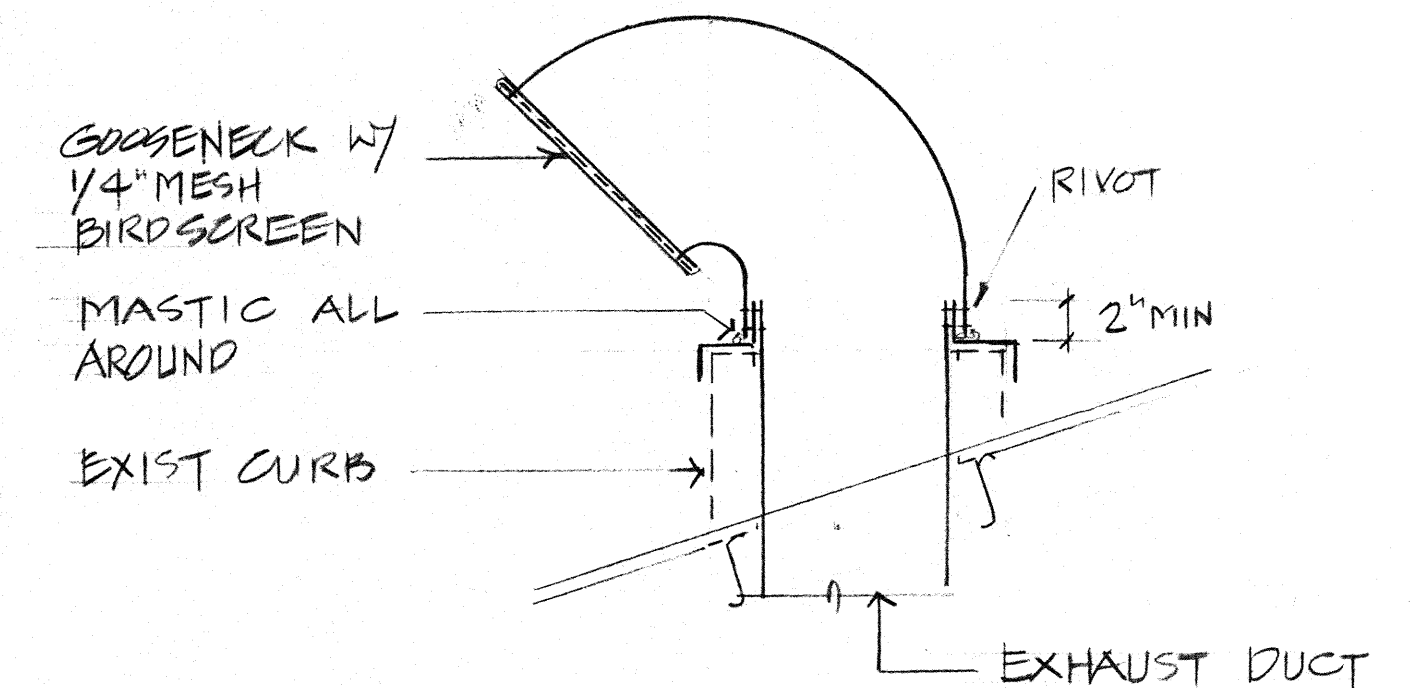
K MOUNTING BRACKET AT HEAT RECLAIM UNITS.
M-46 SCALE: 3/4" = 1'-0"



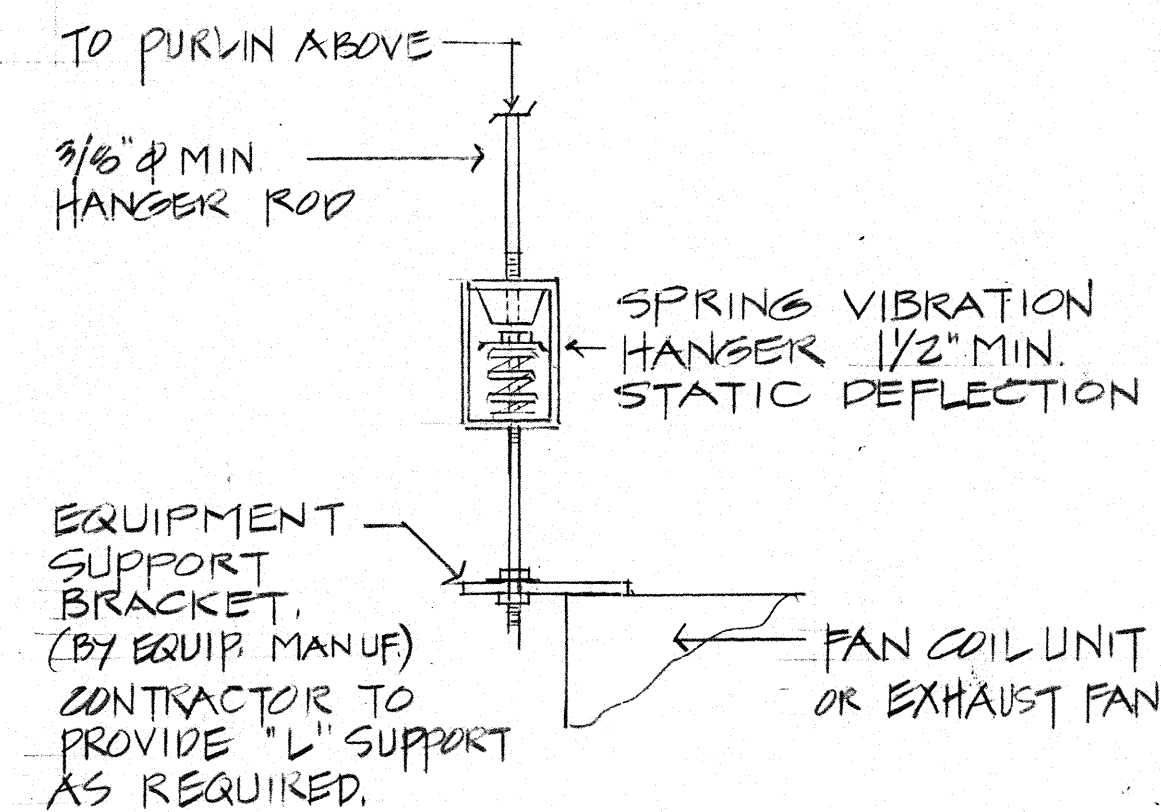
SECTION C
SCALE: 1/4" = 1'-0"



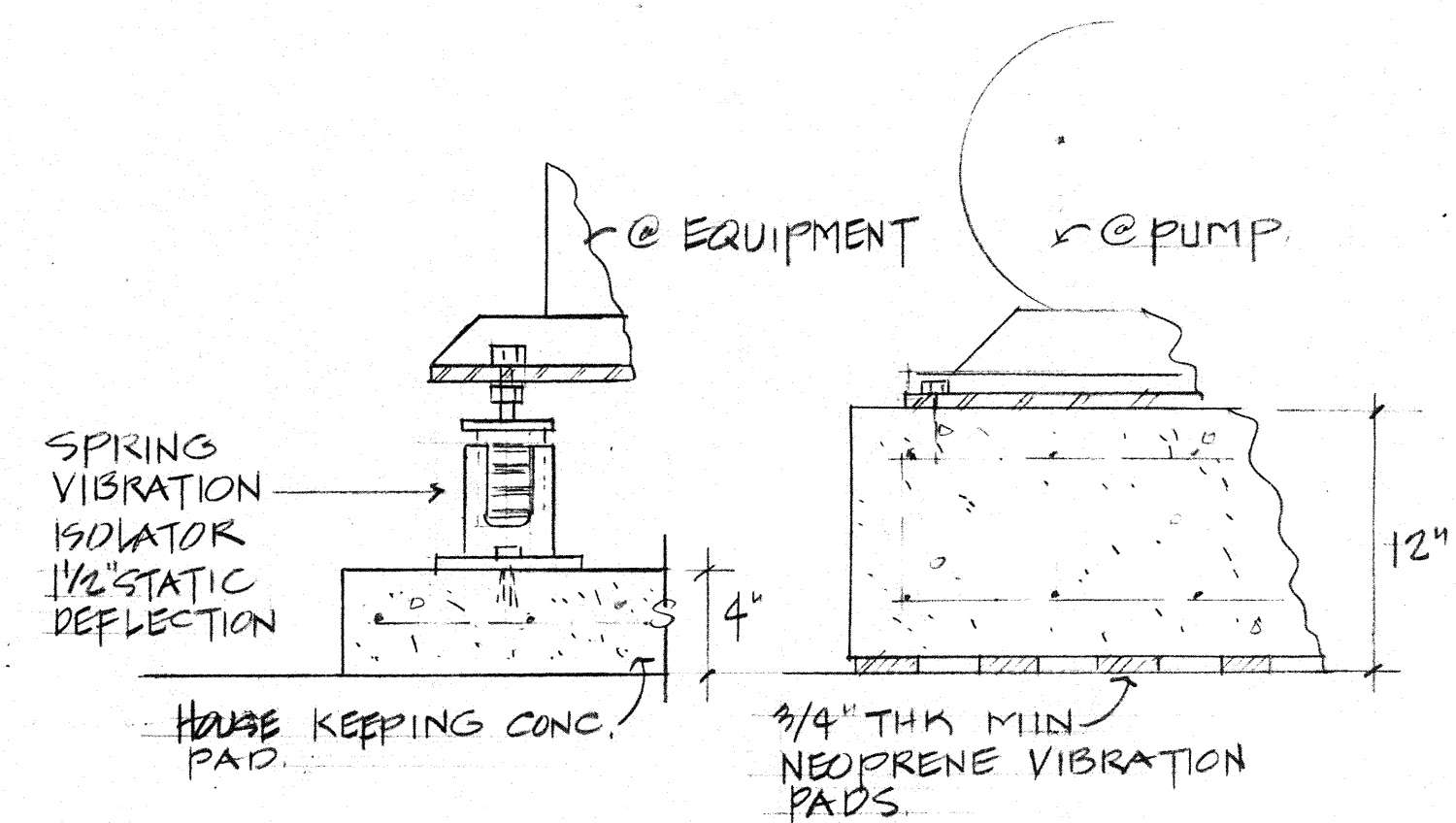
F TYPICAL CURB DETAIL
M-46 SCALE: 1/2" = 1'-0"



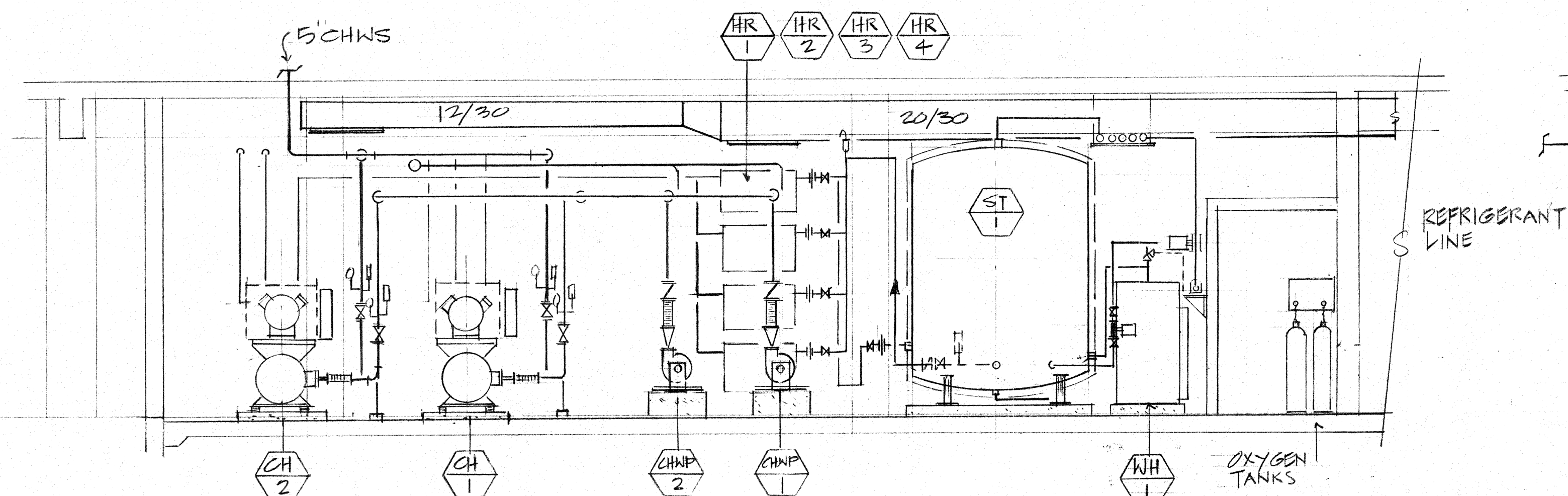
G TYPICAL GOOSENECK DETAIL
M-46 SCALE: 1/2" = 1'-0"



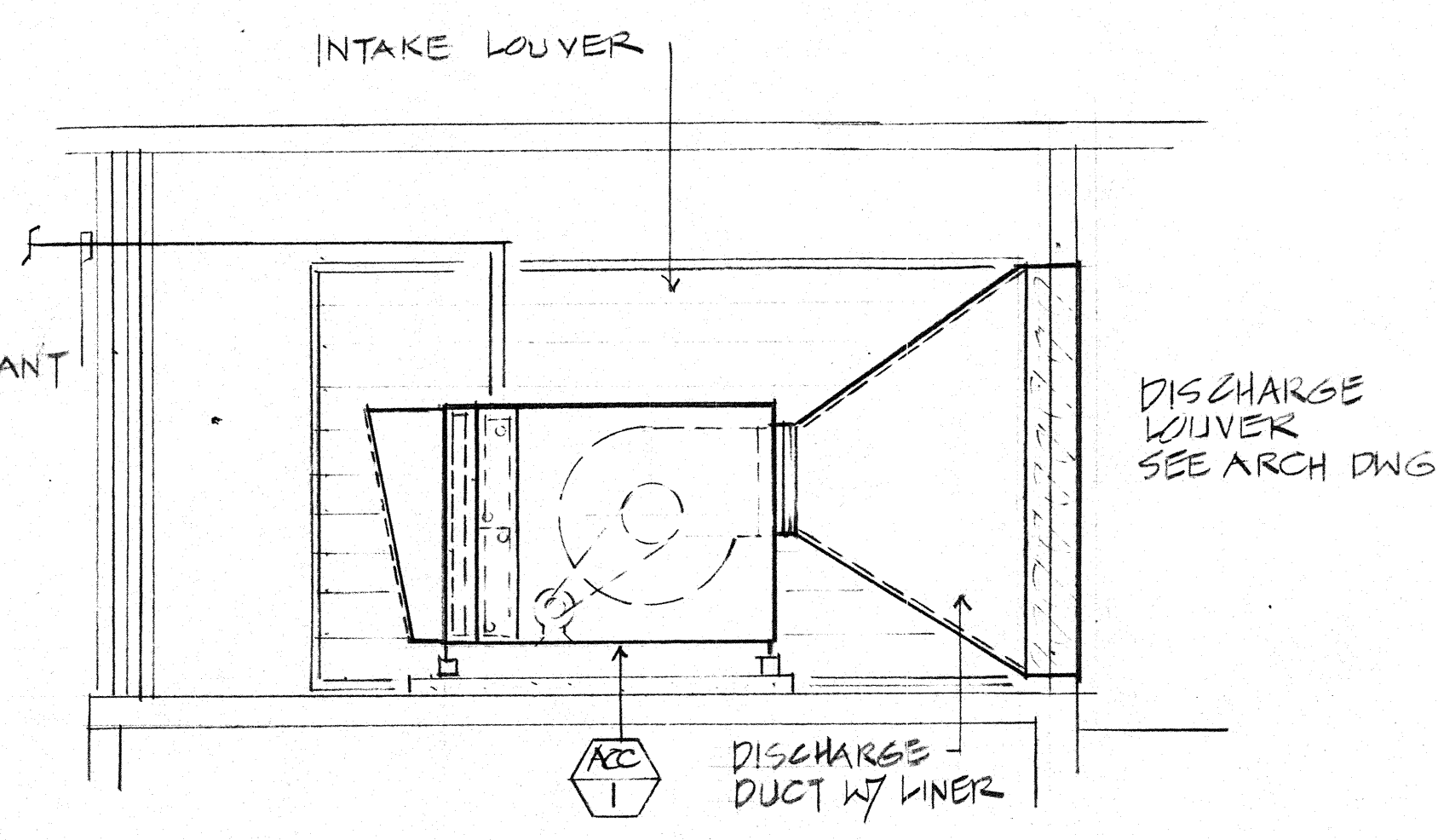
D TYPICAL HANGING DETAIL
M-46 SCALE: 1/2" = 1'-0"



E TYPICAL MOUNTING DETAIL
M-46 SCALE: 1/2" = 1'-0"

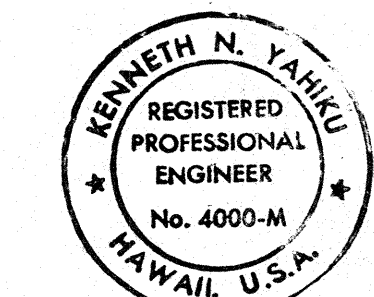


SECTION A
SCALE: 1/4" = 1'-0"



SECTION B
SCALE: 1/4" = 1'-0"

REVISION NO.	SYM.	DESCRIPTION	SHT. OF	DATE	APPROVED STATE PUBLIC WORKS ENGINEER
DEPT. OF ACCOUNTING & GENERAL SERVICES DIVISION OF PUBLIC WORKS STATE OF HAWAII HONOKAA HEALTH CARE FACILITY PHASE II HONOKAA, HAWAII TRK. 4.5-10 PORTION. 27 & 91 SECTIONS AND DETAILS RONALD H. NAGATAIWA DABS JOB NO. DRAWING NO. M-46 DESIGNED BY: M.M. CHECKED BY: K.Y. 11-20-0792 DRAWN BY: M.M. APPROVED BY: K.Y. DATE: 138 SCALE: AS NOTED FEB. 1, 2008 SHEET 138 OF 201 SHTS					



This work was prepared by me or under my supervision.
Kenneth N. Yehliu